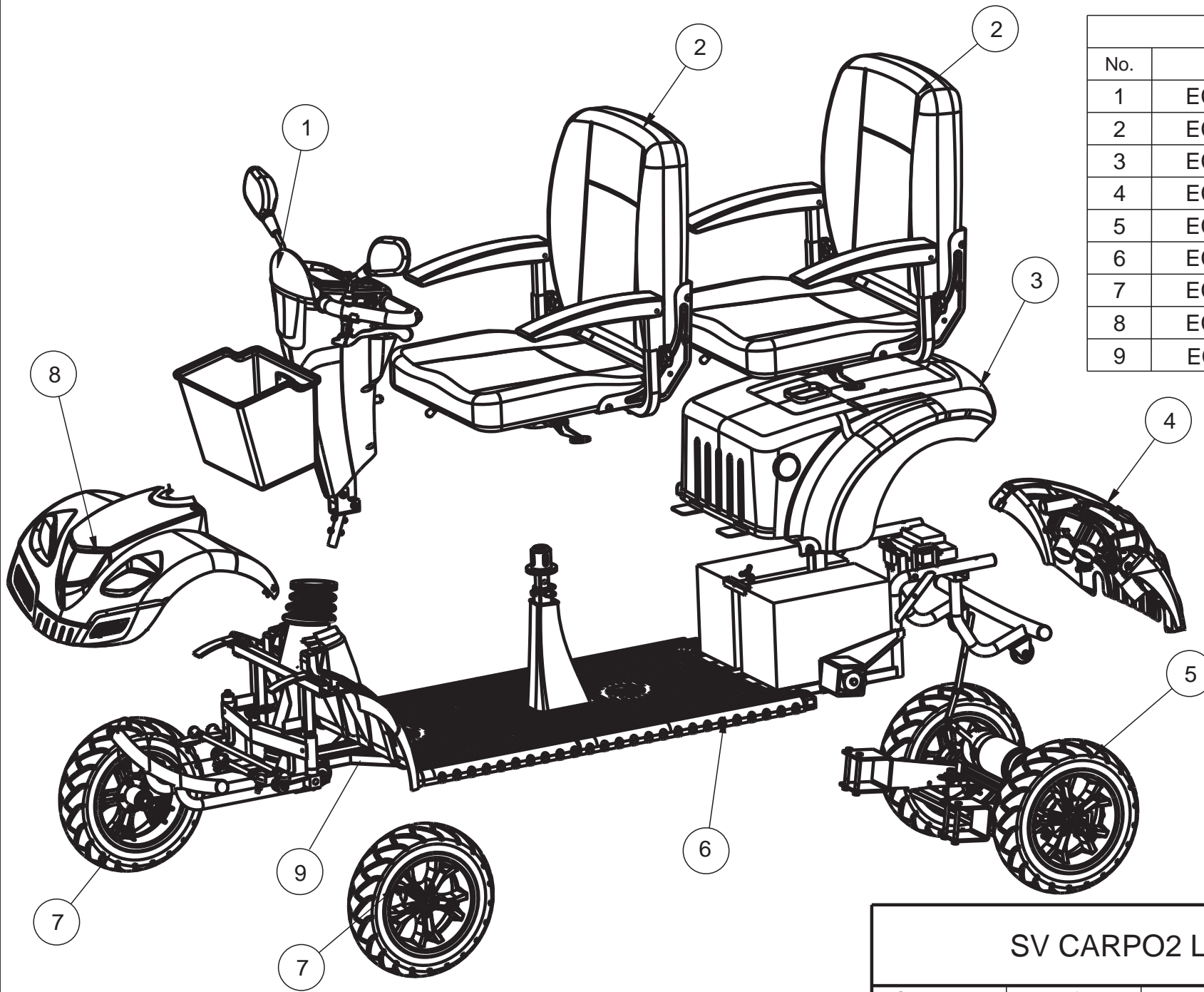


Material			
No.	Plan	Article	Quantity
1	Y017126	1740054	1
2	Ø22	1908818	2
3	Ø3x10	1908849	4
4	25x25	1001617	2
5	VGf40 M8x45	2990016	1
6	Y023056	2051554	1
7	VGf40 M8x16	2990024	1

E000649 / L


2991004

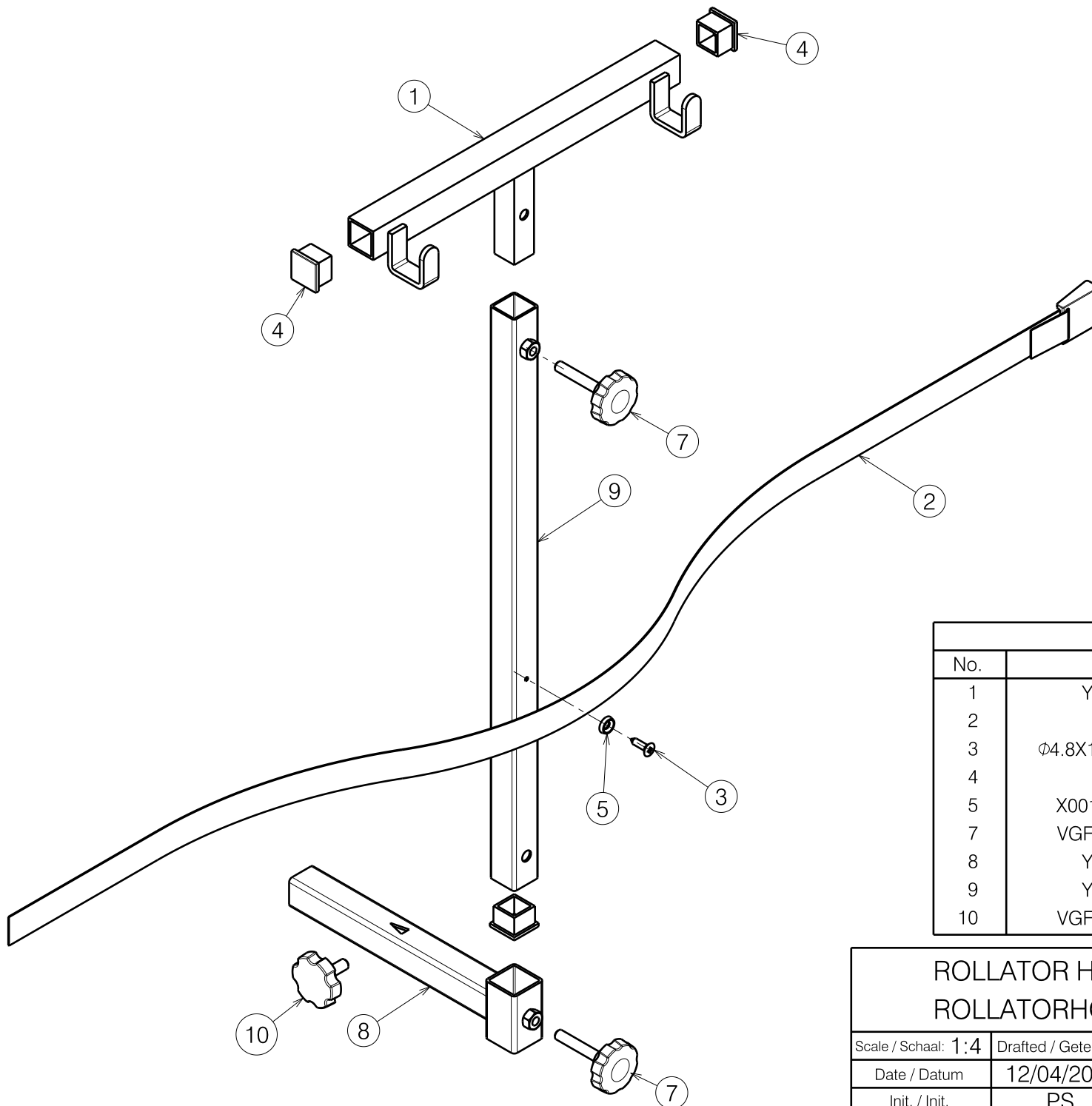
B31 CRUTCH HOLDER				Plan Number
				E000649/L
Scale: 1:4	Drafted	Verified	Confirmed	
Date	13/09/2010	20/09/2018	20/09/2018	
Initials	TT	TT	PJ	



Material			
No.	Plan	Article	Number
1	EC00116	---	1
2	EC00208	---	2
3	EC00143	---	1
4	EC00144	---	1
5	EC00105	---	1
6	EC00226	---	1
7	EC00109	---	2
8	EC00142	---	1
9	EC00227	---	1

EC00254/A

SV CARPO2 LIMO				Plan No.
				EC00254/A
Scale:2:25	Drafted	Verified	Confirmed	
Date	25/02/2014	25/02/2014	25/02/2014	
Init.	JC	JC	TG	

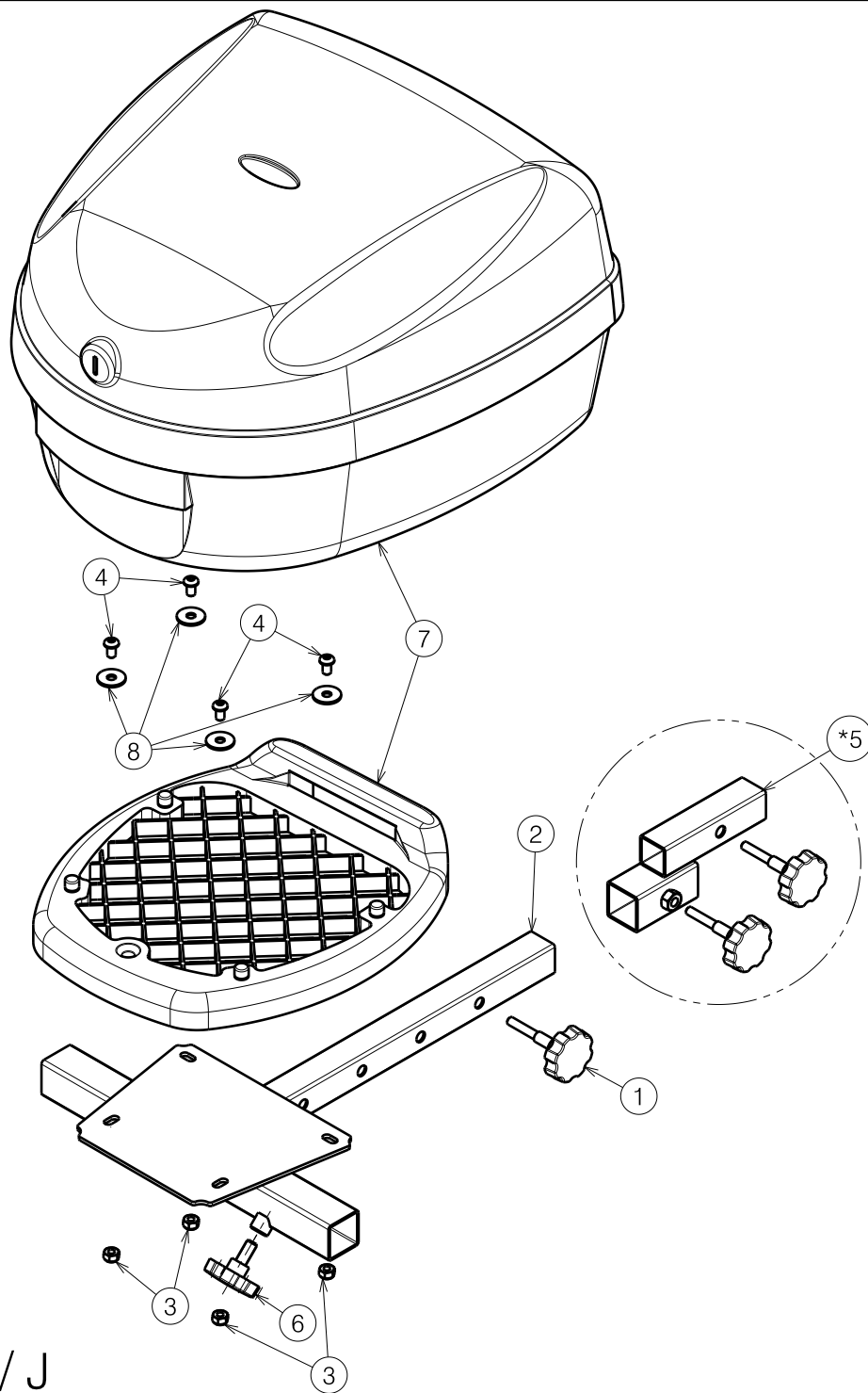


Material			
No.	Plan	Article	Quantity
1	Y008182	1610754	1
2	Belt	1000551	1
3	Ø4.8X19 (DIN7983)	1001534	1
4	25x25	1001617	3
5	X001473 (PA6)	1002994	1
7	VGf 40 M8x45	2990016	2
8	Y023056	2051554	1
9	Y023058	2052254	1
10	VGf 40 M8x16	2990024	1

1904796

ROLLATOR HOLDER SHOPRIDER ROLLATORHOUDER SHOPRIDER			Plan No. / Plannr.
			E000218/F
Scale / Schaal: 1:4	Drafted / Getekend	Verified / Nagezien	Confirmed / Bevestigd
Date / Datum	12/04/2005	03/05/2019	03/05/2019
Init. / Init.	PS	TT	PJ





* Adapter Carpo4 Deluxe / Carpo2 / Ceres

Material			
No.	Plan	Article	Quantity
1	XP00116	2990074	1
2	Y018748	1773854	1
3	---	1001682	4
4	---	1900641	4
*5	E001128	1908396	1
6	---	2990024	1
7	---	W201138	1
8	---	1909451	1

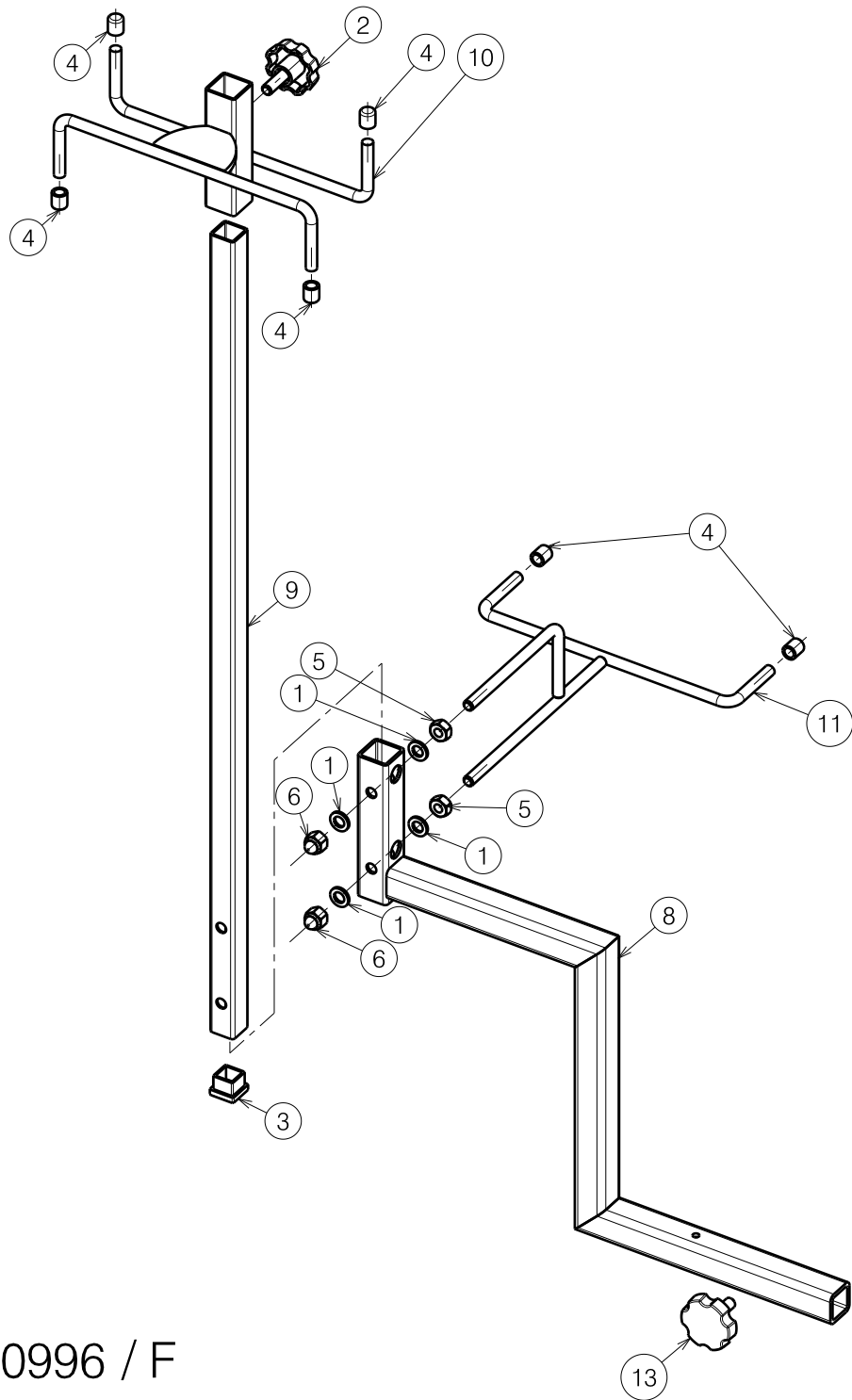
1908395 *

1908152

E000813 / J

SW03 TOPCASE FOR SCOOTER SW03 KOFFER VOOR SCOOTER			Plan No. E000813 / J
Scale: 1:5	Drafted	Verified	Confirmed
Date	29/05/2012	06/05/2019	06/05/2019
Initials	TT	TT	PJ



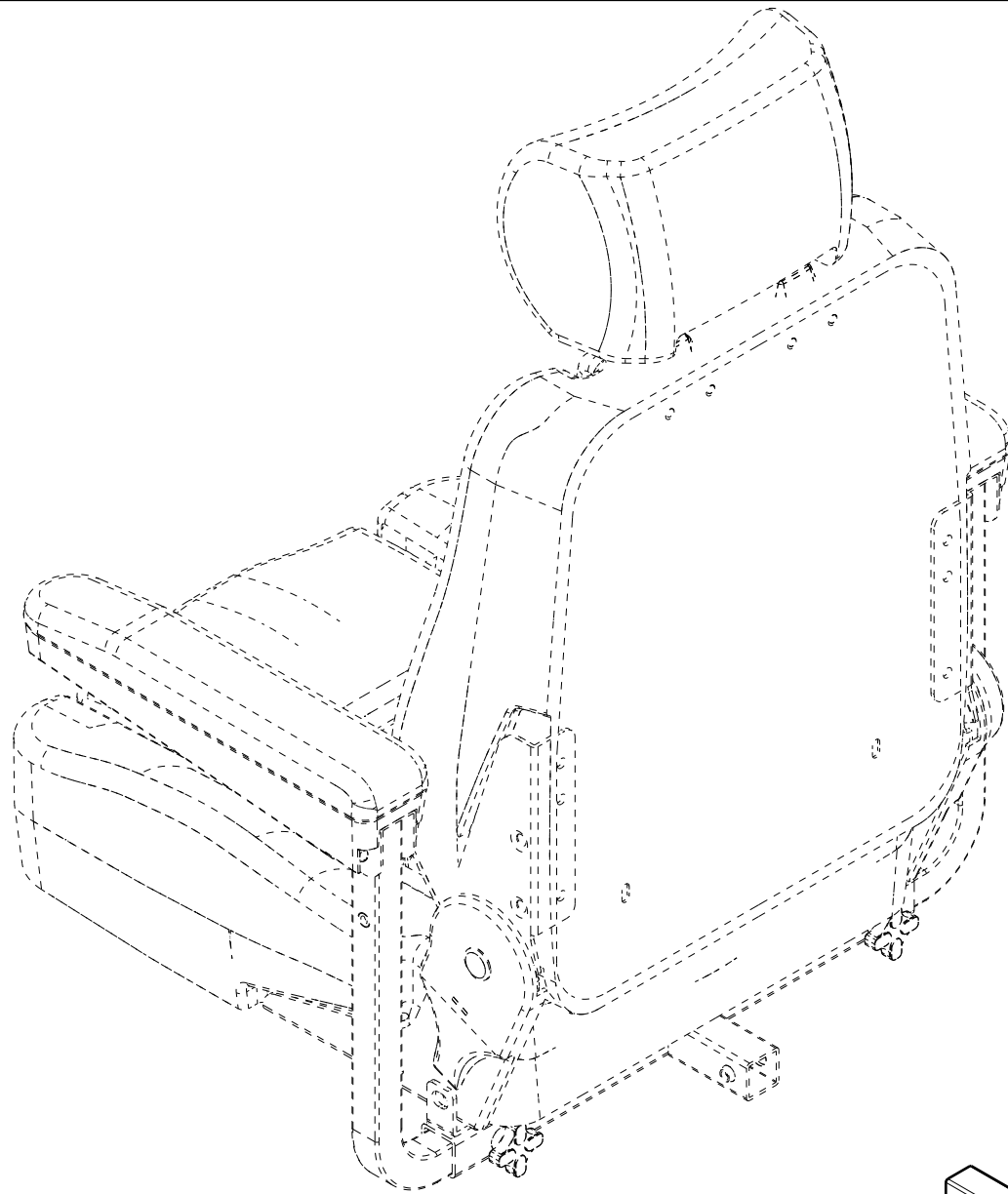


Material			
No.	Plan	Article	Quantity
1	M8 DIN125B	1001556	4
2	M8x20	1001580	1
3	20x20	1001612	1
4	Ø7.8	1001622	6
5	M8 DIN934	1001671	2
6	M8x14	1902024	2
8	Y022385	2042104	1
9	Y021532	2014304	1
10	Y021533	2014004	1
11	Y021537	2014204	1
13	M8x16	2990024	1

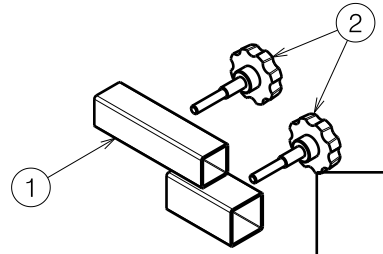
E000996 / F

1913980

ROLLATOR HOLDER FOR QUADRI LIGHT				Plan No.
				E000996 / F
Scale: 1:5	Drafted	Verified	Confirmed	
Date	21/09/2015	06/05/2019	06/05/2019	
Initials	TT	TT	PJ	



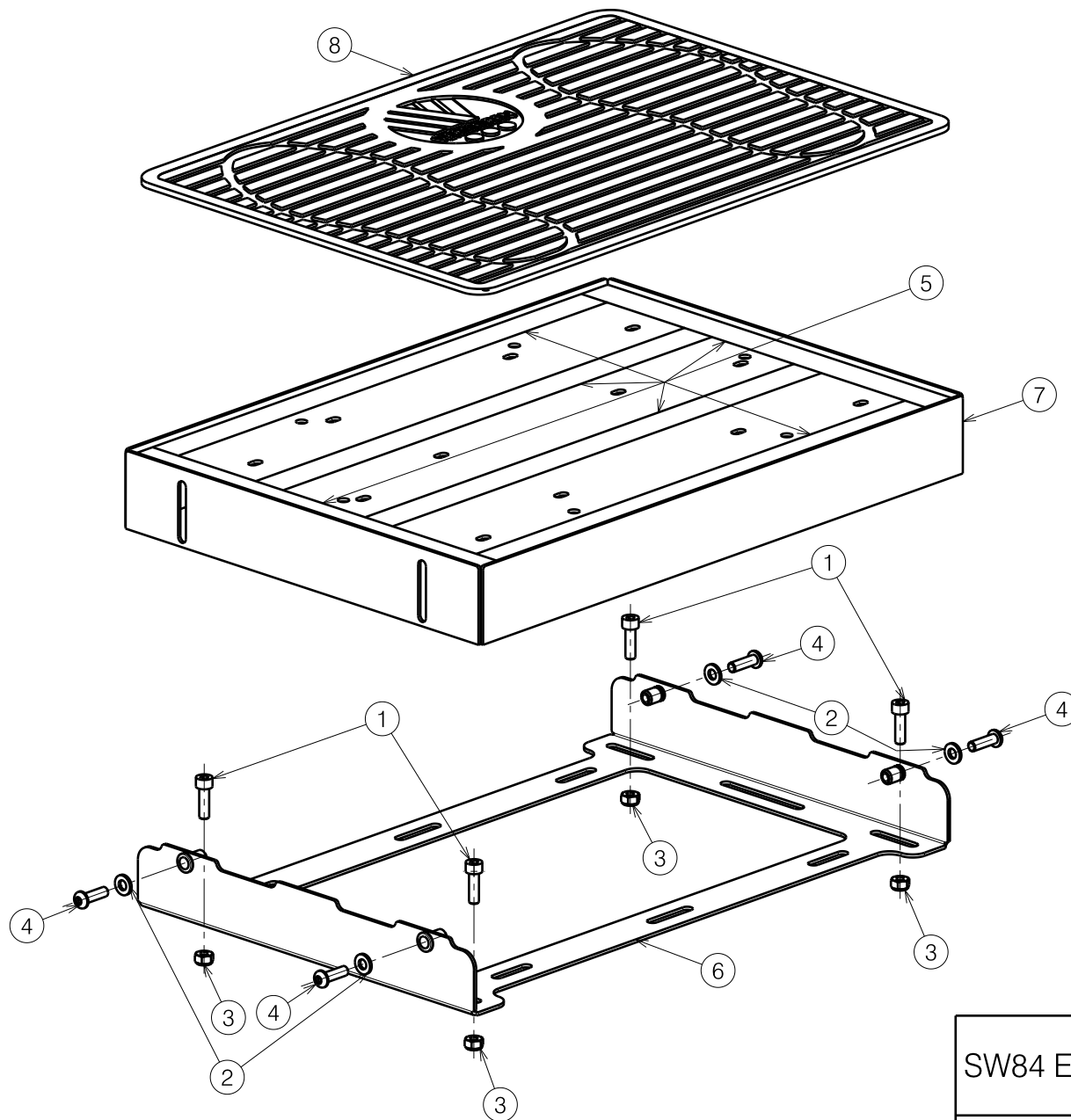
Material			
No.	Plan	Article	Quantity
1	Y018809	1776254	1
2	XP00116 VGF 40 M8x16 L=45	2990074	2



1908396

E001128 / A

ADAPTER FOR SW03 CARPO / CERES				Plan No.
				E001128 / A
Scale: 1:5	Drafted	Verified	Confirmed	
Date	03/05/2019	06/05/2019	06/05/2019	
Initials	TT	SD	PJ	



Material			
No.	Plan	Article	Quantity
1	M6x20 DIN912/8.8	1001493	4
2	M6 DIN125A	1001564	4
3	M6 DIN985	1001680	4
4	M6x20 ISO7380	1006999	4
5	24mm	1904848	2m
6	Y023670	2072854	1
7	Y023674	2072954	1
8	XC00496	3991982	1

Note:

Position of mounting holes, for bolts (item 1) in plastic foot plate, can vary from model to model. Use plate sleeves of frame (item 6) as guides to drill the holes and to avoid drilling through cables or chassis tubes

E001130 / C

SW84 ELEVATED FOOT PLATE CARPO-CERES

Plan No.

E001130 / C

Scale: 1:4

Drafted

Verified

Confirmed

Date

18/06/2019

27/05/2020

27/05/2020

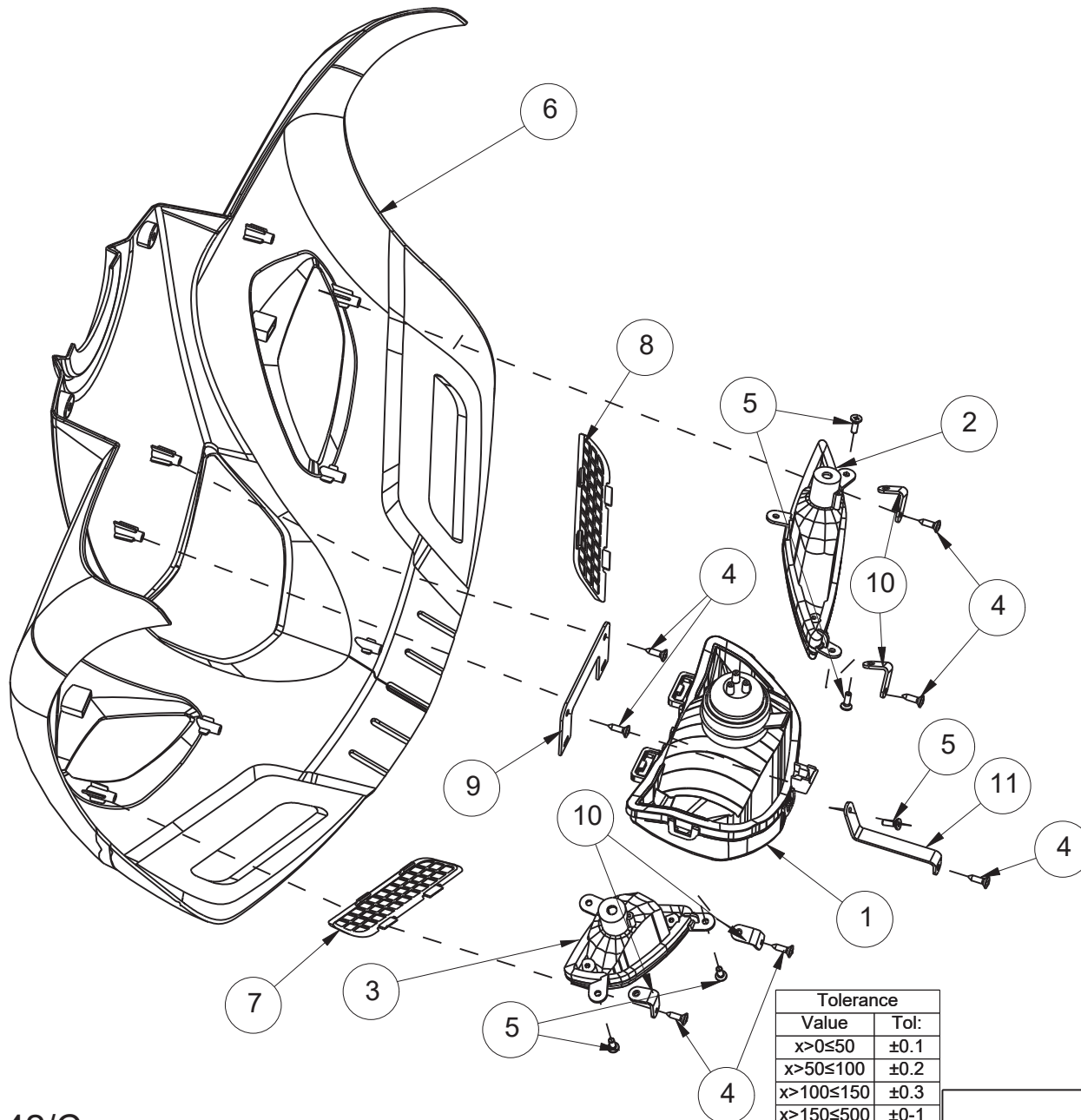
Initials

TT

TT

PJ





Material			
No.	Plan	Article	Number
1	---	3990603	1
2	---	3990605(L)	1
3	---	3990604(R)	1
4	---	3991105	7
5	---	3991134	5
6	XC00325	1C299	1
	---	1C299BA	1
	---	1C299BU	1
	---	1C299BR	1
	---	1C299RE	1
	---	1C299CH	1
7	XC00329	3990738(R)	1
8	XC00330	3990737(L)	1
9	YC00680	1C27900	1
10	YC00681	1C28000	4
11	YC00682	1C28100	1

EC00142/C

SV CARPO2 FRONT_SHELL ASM

Plan No.

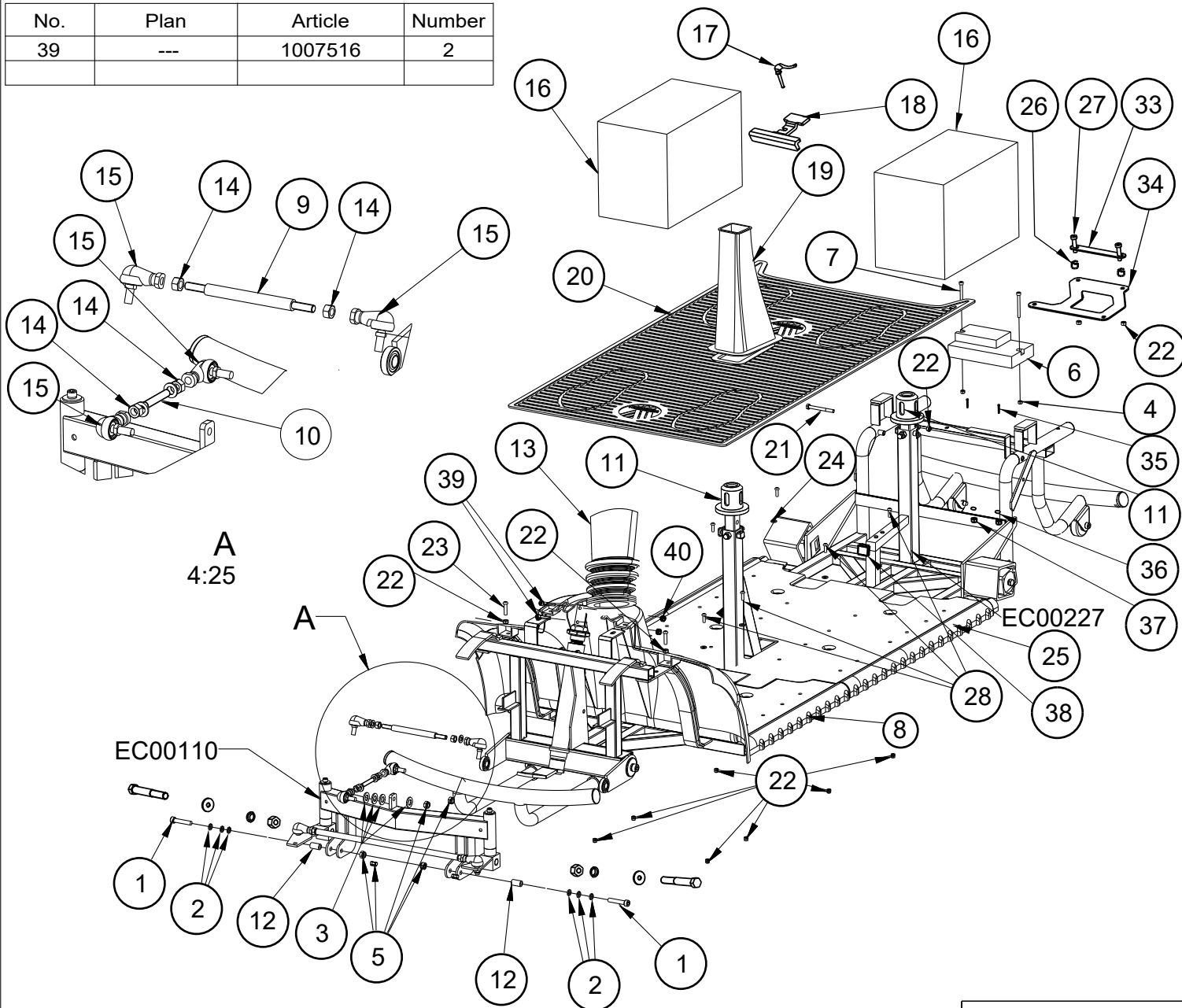
EC00142/C

3					
2					
1					
No.	Requested by	Change description	Date	Init.	

Scale: 1:5	Drafted	Verified	Confirmed
Date	14/06/2013	14/06/2013	14/06/2013
Init.	KZ	JC	TG




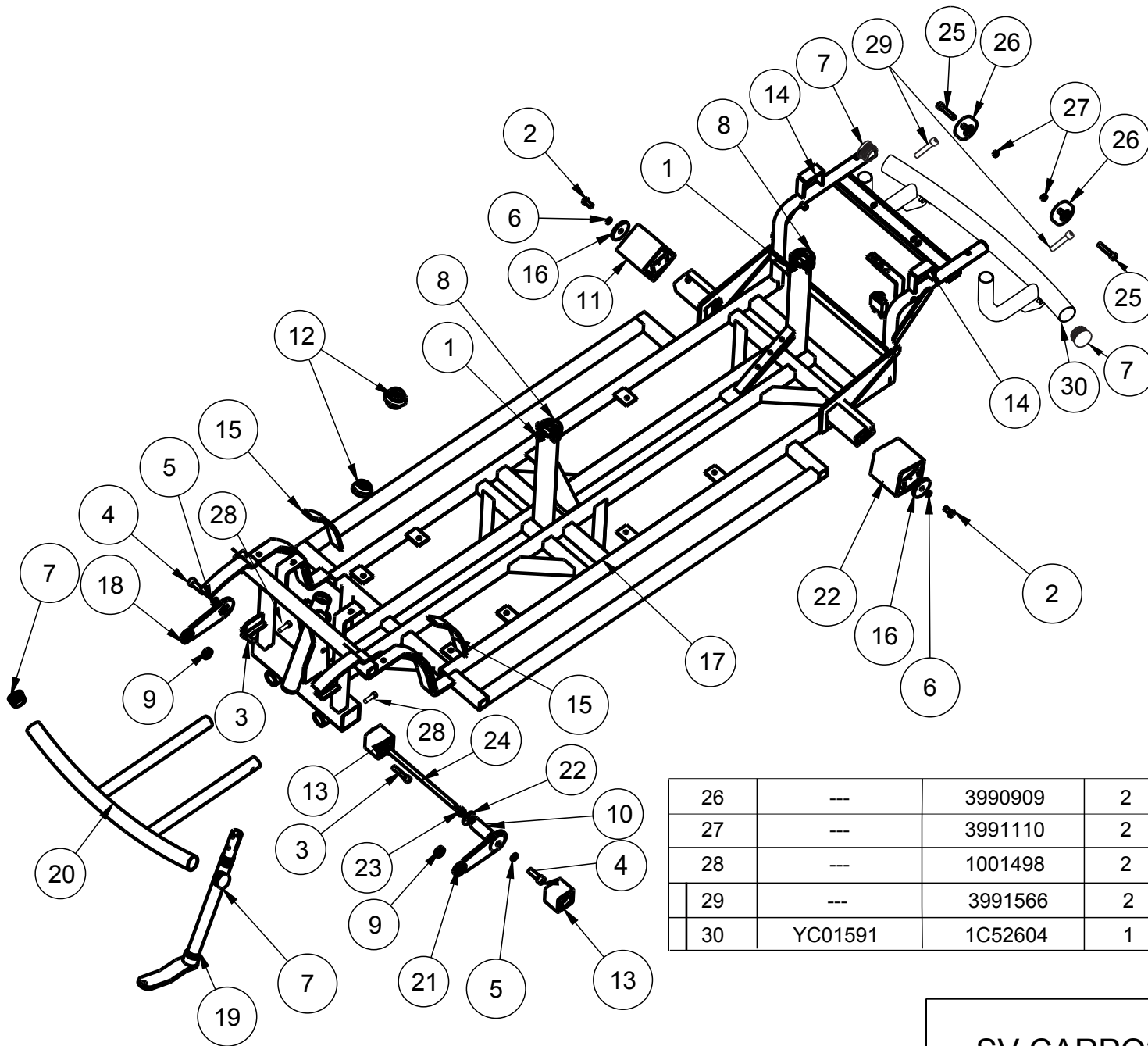
No.	Plan	Article	Number
39	---	1007516	2



Material			
No.	Plan	Article	Number
1	---	1001500	2
2	---	1993362	6
3	---	1001570	4
4	---	1001669	2
5	---	1001682	8
6	---	3990624	1
7	---	3991349	2
8	XC00326	3990668	1
9	XC00293	3990646	1
10	XC00178	3990712	1
11	XC00319	3990636	2
12	XC00174	3990671	2
13	XC00333	3990645	1
14	---	1001671	4
15	---	3990637	4
16	---	1908980	2
17	---	3992314	1
18	YC01993	1C72504	1
19	---	3991363	1
20	---	3991361	1
21	---	1992915	1
22	---	1001680	13
23	---	1006998	2
24	---	1001564	8
25	---	3991362	1
26	XP00545	GP03900	2
27	---	1001494	2
28	---	1006999	8
33	YC01797	1C62404	1
34	YC01799	1C62304	1
35	---	3992407	2
36	---	1005138	2
37	---	1001678	2
38	---	1001617	1


EC00226/K

SV CARPO2 LIMO MAIN-BASIC				Plan No.
				EC00226/K
Scale: 1:10	Drafted	Verified	Confirmed	
Date	20/09/2017	13/02/2019	13/02/2019	
Init.	Mars	NY	TG	



Material			
No.	Plan	Article	Number
1	—	1008942	2
2	—	3991096	2
3	—	1001500	2
4	—	1001502	2
5	—	1001566	2
6	—	1001570	2
7	—	1001610	4
8	—	1993594	2
9	—	3990704	2
10	YC00860	3990778	2
11	—	3990753	2
12	—	3990781	1
13	—	3990752	2
14	XC00179	3990713	2
15	XC00294	3990677	2
16	YC00609	1C34054	2
17	YC01206	1C39404	1
18	YC00627	1C22600	1
19	YC00629	1C22800	1
20	YC00634	1C23304	1
21	YC00638	1C23700	1
22	—	1001558	2
23	—	1001672	2
24	YC00859	3990779	1
25	---	3991108	2
26	---	3990909	2
27	---	3991110	2
28	---	1001498	2
29	---	3991566	2
30	YC01591	1C52604	1

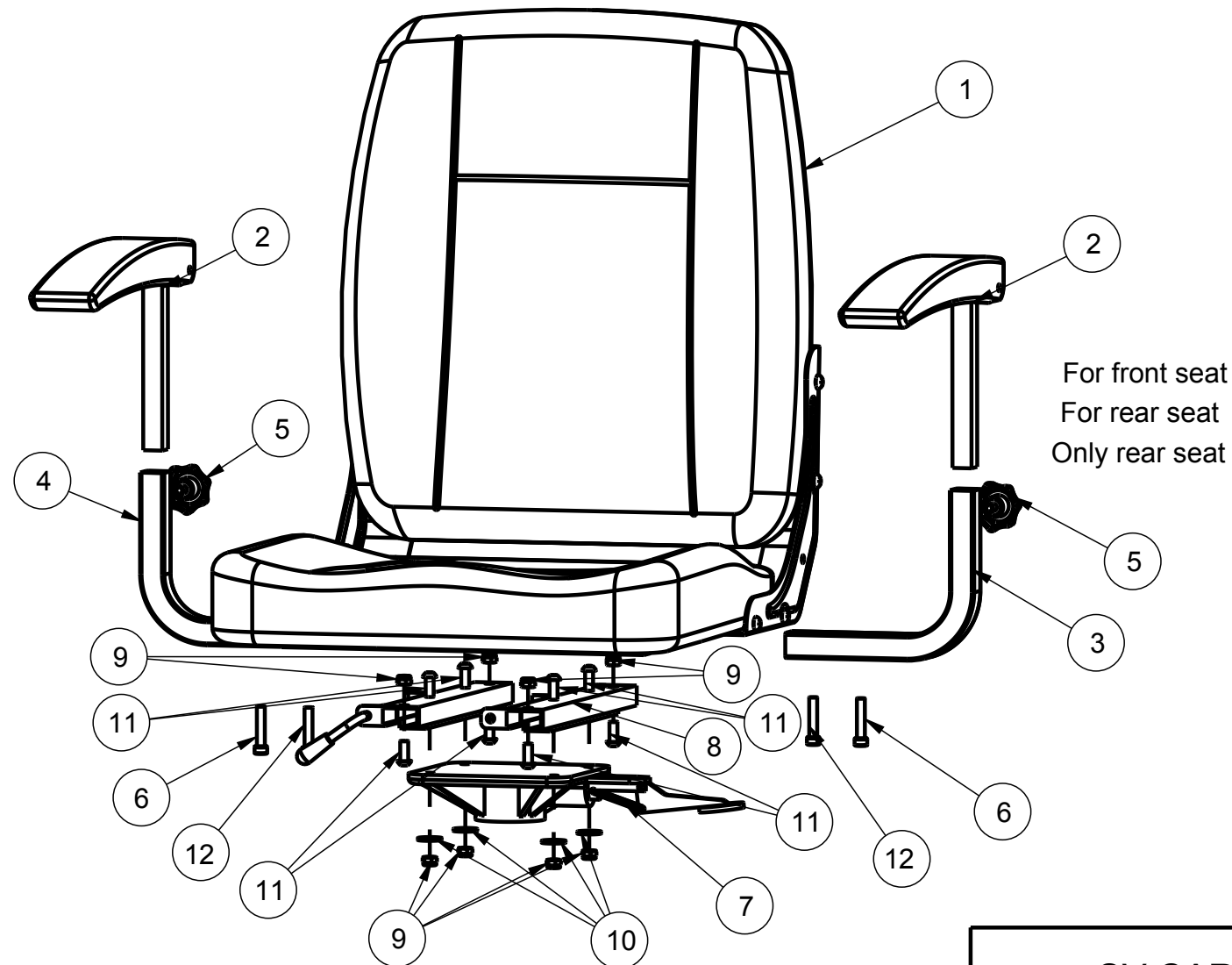
26	---	3990909	2
27	---	3991110	2
28	---	1001498	2
29	---	3991566	2
30	YC01591	1C52604	1

SV CARPO2 LIMO BASIC FRAME				Plan No.
				EC00227/C
Scale:	Drafted	Verified	Confirmed	
Date	18/06/2013	18/06/2013	18/06/2013	
Init.	JC	JC	TG	

EC00227/C


Material

No.	Plan	Article	Number
1	---	3991509	1
2	---	3991519(L) 3991585(R)	1 1
3	YC01219	1C39804	1
4	YC01217	1C39704	1
5	---	3991520	2
6	---	1003066	2
7	---	3990635	1
8	---	3990634	1
9	---	1001682	8
10	---	3991101	4
11	---	1001499	8
12	---	1003066	2
	---	1009569	2
*13	YC01252	1C40304	1



*YC01252 not depicted

EC00208/A

SV CARPO LIMO SEAT				Plan No.
				EC00208/A
Scale:3:20	Drafted	Verified	Confirmed	
Date	07/01/2014	07/01/2014	07/01/2014	
Init.	JC	JC	TG	